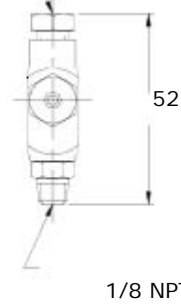
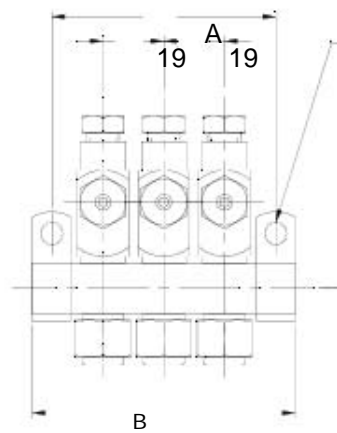


DRAWING: INJECTOR FL42-43 OIL

Grease outlet
5/16 – 24 NF
for tubing 1/8
"OD" (adaptor
see p. 3

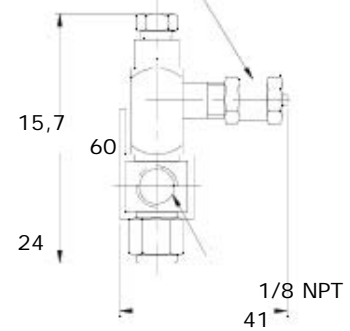


**Injector FL42
for direct
mounting.**



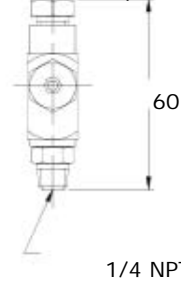
2 Mounting
holes 07

Flow
adjustment

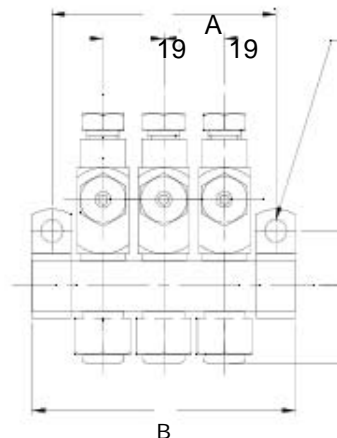


**Injector FL42
for manifold
mounting.**

Grease outlet
5/16 – 24 NF
for tubing 1/8
"OD" (adaptor
see p. 3

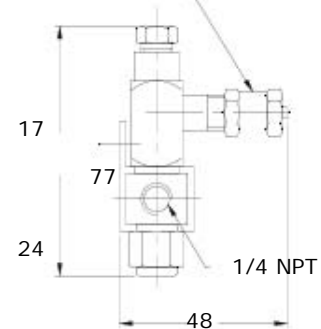


**Injector FL43
for direct
mounting.**



2 Mounting
holes 07

Flow
adjustment



**Injector FL43
for manifold
mounting.**

Number of outlets	Dimensions (mm)			
	Injector FL42		Injector FL43	
	A	B	A	B
1	30	41	32	44
2	48	60	51	63
3	67	70	70	82
4	87	98	89	102
5	105	117	-	-
6	124	137	-	-
10	200	213	-	-
15	292	310	-	-

Discharge adjustment

On all injectors, the amount of discharge is controlled by the position of the indicator cap.

Fully tighten the indicator cap to obtain the minimum discharge 0,016 cm³.

To increase the output, loosen the indicator cap as required.

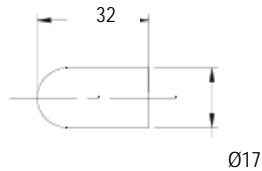
FL 42: 2 turns for the maximum (0.049 cc)

FL 43: 5 turns for the maximum (0.131 cc)

ACCESSORIES FOR: INJECTOR FL42-43 OIL

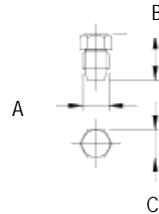
Injector cover caps Part N° 27335

Cover caps in plastic are used in environments where excessive moisture, dirt and other contaminants exist. They are intended to protect the indicator pin to avoid lubricant leakages.



Plug

Can be used to close surplus tapped holes (see table below).

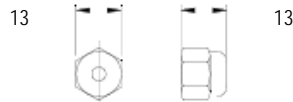


Dimensions (mm)			Reference
A	B	C	
5/16-24NF	13	8	27336
1/8NPT	18	9,5	HP604
1/4NPT	6,4	4,8	HP622

Lock nut Part N° 27347

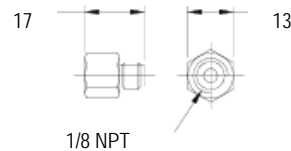
Nut can be used to replace adjustment screw to obtain a fixed discharge.

Injector FL 32/43: 0,033 cm³ /cycle
 Injector FL 33/42: 0,049 cm³ /cycle



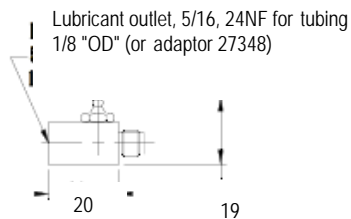
Adapter Part N° 27348

Can be mounted on discharge port.



Connector for manual greasing Part N° 27344

Simply a zerk fitting mounted onto a junction. It can be used to fill secondary lines before the first start-up.



DELIMON

Zentrale

Arminstraße 15
D-40227 Düsseldorf
Telefon: +49 211 7774 0
Telefax: +49 211 7774 210
kontakt@bijurdelimon.com
www.bijurdelimon.com

DELIMON

Niederlassung Beierfeld

Am Bockwald 4
D-08344 Grünhain-Beierfeld

DELIMON

Österreich

Lemböckgasse 49
Haus 2 / Stiege E 4.OG / Top E 4-3
A-1230 Wien
Telefon: +43 1 585 66 17
Telefax: +43 1 585 66 17 50
kontakt@bijurdelimon.com
www.bijurdelimon.com

LUBRIMONSA

Spain

Avda. Txori-Erri 38
48150 Sondica - (Vizcaya)
Teléfono: +34 94 453 20 00
Fax: +34 94 453 25 00
spain@bijurdelimon.com

DENCO Lubrication Ltd.

**DELIMON-Cooling
United Kingdom**

Ramsden Court, Ramsden Road
Rotherwas Industrial Estate
Hereford, HR2 6LR
Phone: +44 (0) 1432 365 000
Fax: +44 (0) 1432 365 001
info@delimon.co.uk
www.bijurdelimon.com

BIJUR Products, Inc.

France

P.O. Box 50
Z.I. de Courtabœuf
9, Avenue du Québec
91942 Courtabœuf Cedex
Tél.: +33 1 692 985 85
Fax: +33 1 690 776 27
contact@bijurdelimon.com
www.bijurdelimon.com

BIJUR Lubricating Ireland Ltd.

Gort Road
Ennis, County Clare
Tel.: +35 3 65 682 1543
Fax: +35 3 65 682 0327
www.bijurdelimon.com

*Für reibungslose Bewegung
For smooth motion*